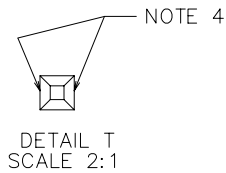
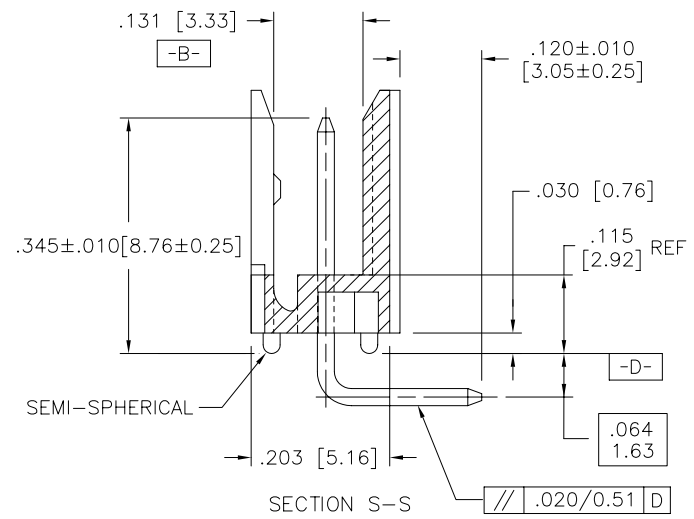
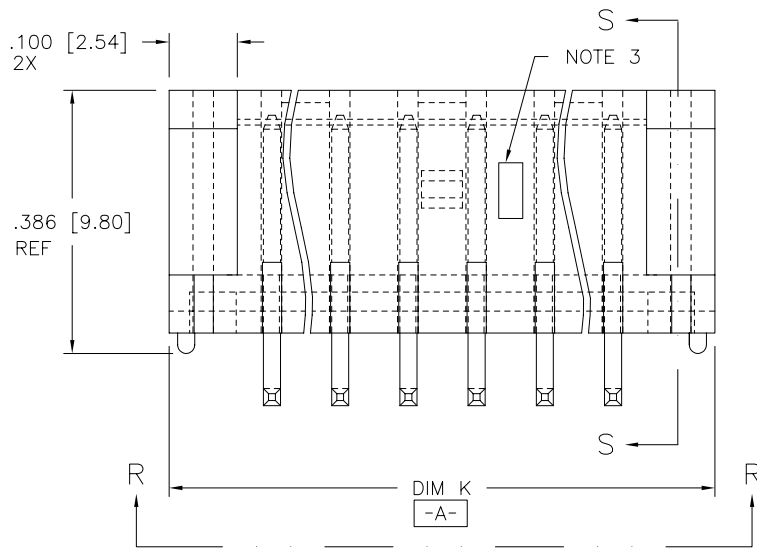
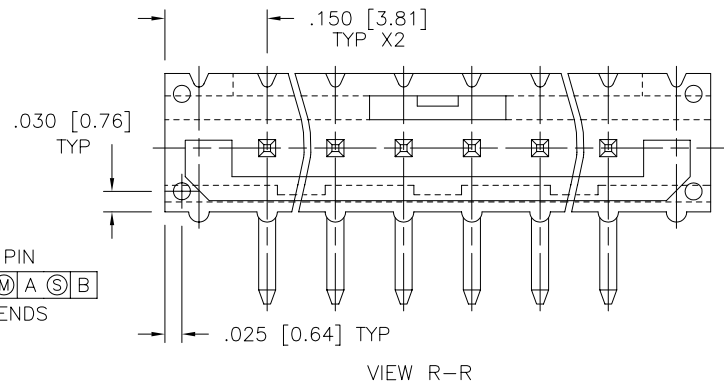
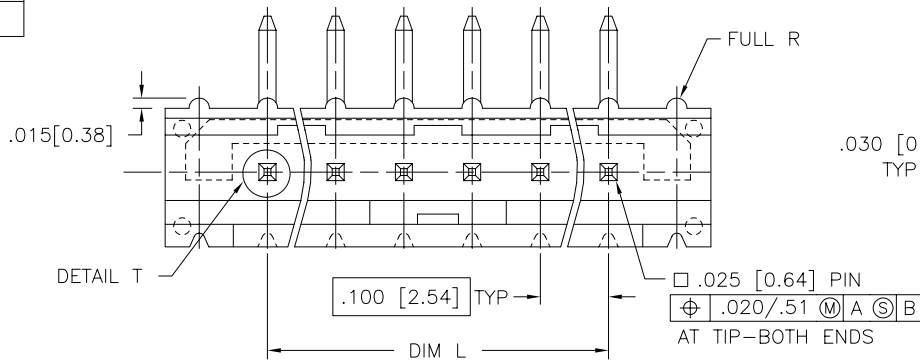


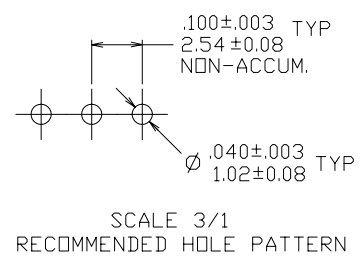
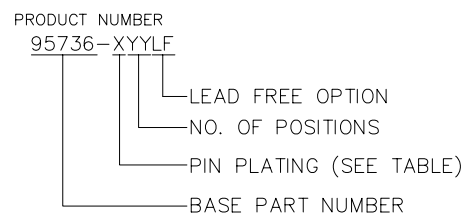
PRODUCT NO.  
SEE TABLE



mat'l. code		surface ISO 1302 ✓		tolerance ISO 406 ISO 1101		projection INCH/MM		product family HEADER		
ltr		ecn no		date		tolerances unless otherwise specified		title		
A	V50891	HTB	7/6/95	angles		.XX±.01/.3	INCH/MM	CLINCHER™ LATCH HEADER RIGHT ANGLE		
B	V60842	EPK	6/3/96	linear		.xxx±.005/.13	scale 4:1	dwg no 95736		
C	V71289	HTB	9/22/97	0'±2'		.xxxx±.0020/.051		sheet 1 of 2 size A3		
D	M05-0109	MHT	7/15/05	dr	T. BREWBAKER	5/23/95			type Product Customer Drawing	
E	M06-0052	MHT	1/30/06	engr	T. HANNA	5/23/95				
F	M06-0233	AGS	06/13/06	chr	T. HANNA	5/23/95				
G	M06-0469	MHT	11/28/06	appd	T. HANNA	7/6/95				
sheet index	revision		G	G						
	sheet	1	2							

PRODUCT NO. NOTE 5	NO. OF POSITIONS	DIM K	DIM K	DIM L	DIM L	NOTES
		ENGLISH	METRIC	ENGLISH	METRIC	
95736-X02	1 X 2	0.400	10.16	0.100	2.54	-
95736-X03	1 X 3	0.500	12.70	0.200	5.08	-
95736-X04	1 X 4	0.600	15.24	0.300	7.62	-
95736-X05	1 X 5	0.700	17.78	0.400	10.16	-
95736-X06	1 X 6	0.800	20.32	0.500	12.70	-
95736-X07	1 X 7	0.900	22.86	0.600	15.24	-
95736-X08	1 X 8	1.000	25.40	0.700	17.78	-
95736-X09	1 X 9	1.100	27.94	0.800	20.32	-
95736-X10	1 X 10	1.200	30.48	0.900	22.86	-
95736-X11	1 X 11	1.300	33.02	1.000	25.40	-
95736-X12	1 X 12	1.400	35.56	1.100	27.94	-
95736-X13	1 X 13	1.500	38.10	1.200	30.48	-
95736-X14	1 X 14	1.600	40.64	1.300	33.02	-
95736-X15	1 X 15	1.700	43.18	1.400	35.56	-
95736-X16	1 X 16	1.800	45.72	1.500	38.10	-

DASH NO	OVERPLATING	UNDERPLATING
-1YY	30u"/.76u MIN (SEE NOTE 8)	50u"/1.27u MIN Ni
-1YYLF	30u"/.76u MIN (SEE NOTE 8)	50u"/1.27u MIN Ni
-4YY	100u"/2.54u MIN Sn (NOTE 9)	50u"/1.27u MIN Ni
-4YYLF		50u"/1.27u MIN Ni



- NOTE
- MOLDING MATERIAL: HIGH TEMPERATURE PLASTIC FLAME RETARDANT PER UL-94V-0. COLOR: BLACK
  - PIN MATERIAL: 3/4 HD PHOS. BRONZE
  - LOGO TO BE LOCATED APPROX. AS SHOWN.
  - TWO NON-CRITICAL SIDES OF PIN TIP NOT PLATED, BOTH ENDS.
  - FOR LEAD FREE OPTION ADD "LF" IN THE END OF THE EXISTING PART NUMBERS.
  - IF "LF" P/N THE PRODUCT MEETS EUROPEAN UNION DIRECTIVES AND OTHER COUNTRY REGULATION AS DESCRIBED IN GS-22-008.
  - THE HOUSING WILL WITHSTAND EXPOSURE TO 260°C PEAK TEMPERATURE FOR 20-30 SECONDS IN A CONVECTION, INFRA-RED OR VAPOR PHASE REFLOW OVEN. SEE APPLICATION NOTES/PROCEDURES IF THEY ARE AVAILABLE
  - OR THE HOUSING WILL WITHSTAND EXPOSURE TO 260°C PEAK TEMPERATURE FOR 15 SECONDS IN A WAVE SOLDER APPLICATION WITH A 1.5mm MINIMUM THICK CIRCUIT BOARD. SEE APPLICATION NOTES/PROCEDURES IF THEY ARE AVAILABLE.
  - PLATING OPTIONS:  
MAY BE EITHER GOLD OR GXT PLATED AT THE MANUFACTURER'S CHOICE
  - "THIS PRODUCT HAS 100% TIN PLATING IN THE INTERFACE AND HAS NOT BEEN TESTED FOR WHISKER GROWTH IN ALL INTERCONNECT ENVIRONMENTS."

mat'l. code		surface ISO 1302 ✓		tolerance ISO 406 ISO 1101		projection ⊕		product family HEADER	
ltr		ecn no		date		tolerances unless otherwise specified		title	
G						.XX±.01/.3 linear .XXX±.005/.13 0'±2' .XXXX±.0020/.051		INCH/MM scale 4:1	
						dr T.BREWBAKER 5/23/95		CLINCHER™ LATCH HEADER RIGHT ANGLE	
						enfr T. HANNA 5/23/95		dwg no sheet 2 of 2 size	
						chr T. HANNA 5/23/95		95736 A3	
						appd T. HANNA 7/6/95		type Product Customer Drawing	
sheet index		revision sheet							

Copyright FCI  
 FCIconnect.com